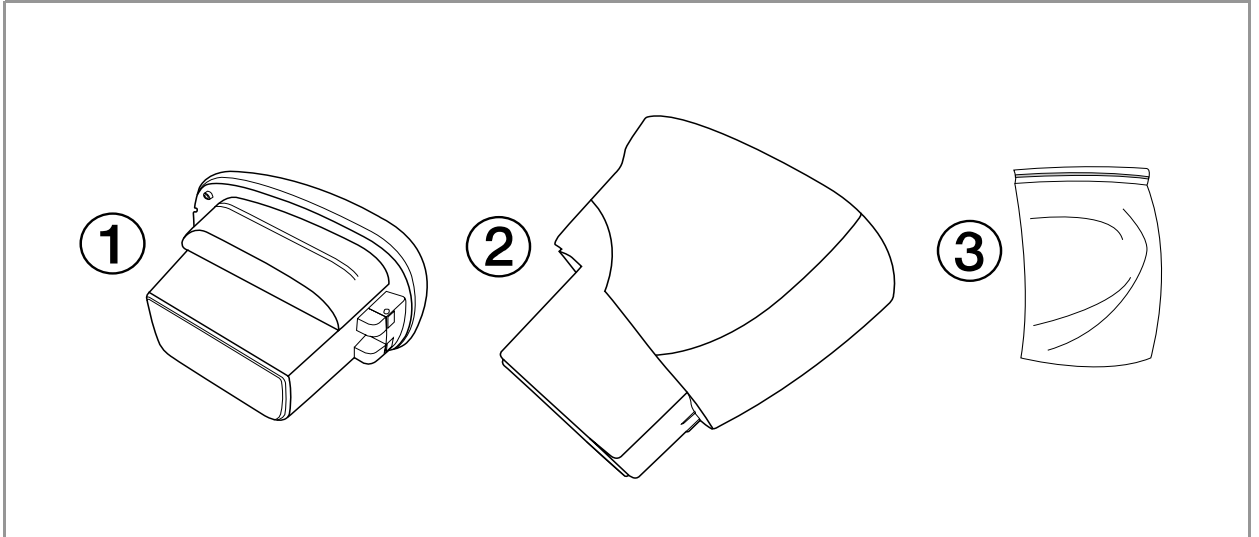




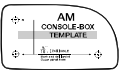




## KIA Genuine Approved Accessories

### Kit Overview

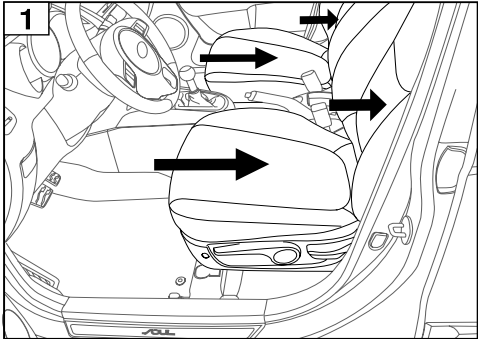



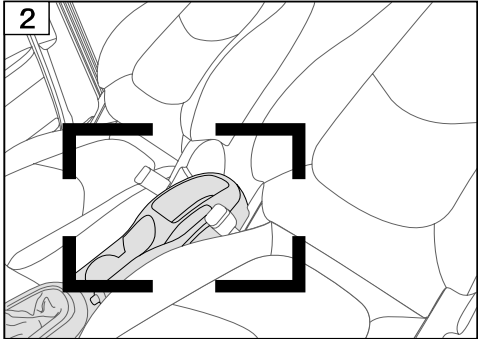

| No. | Qty. | Description              | No. | Qty. | Description | No. | Qty. | Description |
|-----|------|--------------------------|-----|------|-------------|-----|------|-------------|
| 1   | 1    | Console-box (Inner part) | 9   |      |             | 17  |      |             |
| 2   | 1    | Console-box (Outer part) | 10  |      |             | 18  |      |             |
| 3   | 1    | Hardware bag             | 11  |      |             | 19  |      |             |
| 4   |      |                          | 12  |      |             | 20  |      |             |
| 5   |      |                          | 13  |      |             | 21  |      |             |
| 6   |      |                          | 14  |      |             | 22  |      |             |
| 7   |      |                          | 15  |      |             | 23  |      |             |
| 8   |      |                          | 16  |      |             | 24  |      |             |

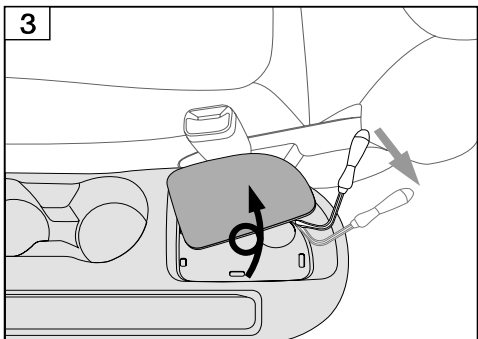


### Hardware Overview

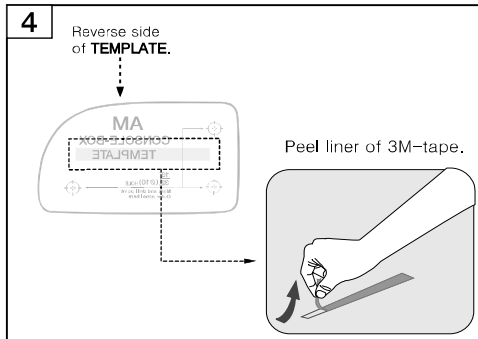

|                           |   |   |   |   |   |   |   |   |   |
|---------------------------|---|---|---|---|---|---|---|---|---|
| A                         |  | B |  | C |  | D |  | E |  |
| 1                         | Template  | 3 | Bolt(M5*20)   | 4 | T/Screw(M4*12)  | 3 | Well-nut  | 3 | Plate washer(6.5*14)  |
| F                         |   | G |   | H |   | I |   | J |   |
| K                         |   | L |   | M |   | N |   | O |   |
| P                         |   | Q |   | R |   | S |   | T |   |
| <b>Hardware Kit Total</b> |   |   |   |   |   |   |   |   | <b>14</b>   |

## KIA Genuine Approved Accessories (Installation)

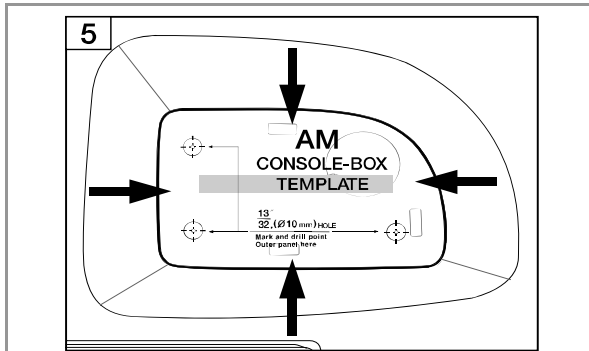
|   |   |
|---|---|
|    | <b>1</b>  |
|    | <b>1</b>  |
| <div style="background-color: #003366; color: white; padding: 5px; writing-mode: vertical-rl; transform: rotate(180deg); font-weight: bold;">NOTE</div> | <p>1. Push front seats to the back as shown in the picture.</p> |

|   |   |
|---|---|
|   | <b>2</b>  |
|    | <b>2</b>  |
| <div style="background-color: #003366; color: white; padding: 5px; writing-mode: vertical-rl; transform: rotate(180deg); font-weight: bold;">NOTE</div> | <p>1. Check the installation location as shown in the picture and remove any objects in the center console.</p> |

|   |  |
|---|--|
|    | <b>3</b>   |
|    | <b>3</b>   |
| <div style="background-color: #003366; color: white; padding: 5px; writing-mode: vertical-rl; transform: rotate(180deg); font-weight: bold;">NOTE</div> | <p>1. Remove the cover by using a pick.</p>  |
|    | <p>Do not use excessive force to remove, damage to the center console may occur.</p> |

|   |                                  |
|---|----------------------------------|
|   | <b>4</b>                         |
|    | <b>4</b>                         |
| <div style="background-color: #003366; color: white; padding: 5px; writing-mode: vertical-rl; transform: rotate(180deg); font-weight: bold;">NOTE</div> | <p>1. Peel liner of 3M-tape.</p> |

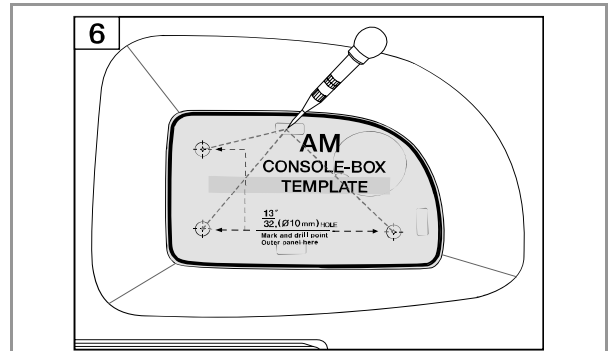
## KIA Genuine Approved Accessories (Installation)



**5**

**NOTE**

1. Place the template on the center console.



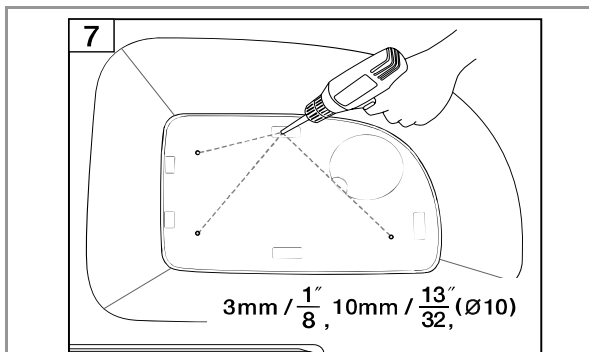
**6**

Spring loaded center punch

**NOTE**

1. Using a spring loaded center punch, mark the center points indicated on the template.

Be careful not to damage or scratch the center console.



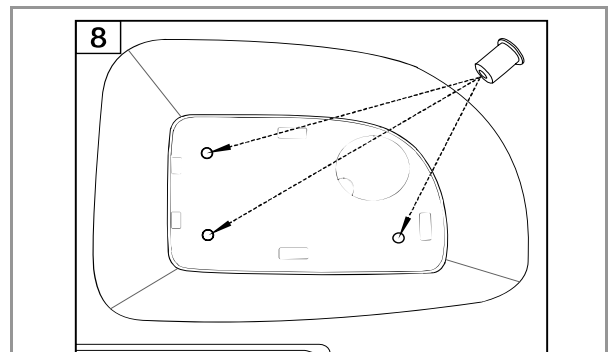
**7**

Power drill/ Drill bit(3mm,1/8)/ Drill bit(10mm,13/32)

**NOTE**

1. Remove the template.  
2. Drill (1/8) pilot holes.  
3. Drill 3-holes using 13/32 drill bit.  
4. Clean residues.

Be careful not to damage or scratch the center console.

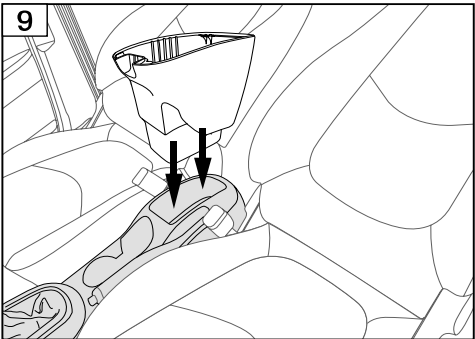


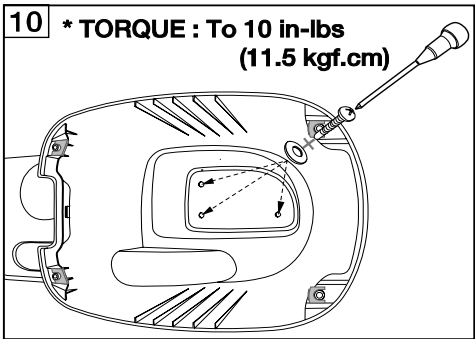
**8**

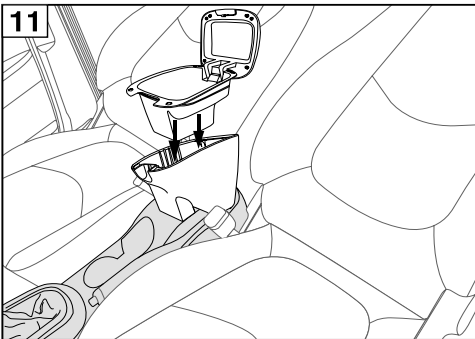
**NOTE**

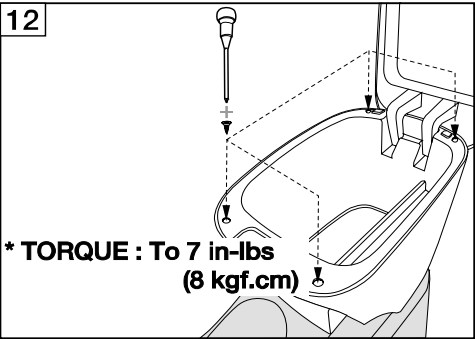

1. Insert well-nut(3EA) to holes.

## KIA Genuine Approved Accessories (Installation)

|   |   |
|---|---|
|  <p><b>9</b></p> | <p><b>9</b></p>   |
| <p style="writing-mode: vertical-rl; transform: rotate(180deg);">NOTE</p>                         | <p>1. Insert console-box(Outer part) to center console.</p> |

|   |   |
|---|---|
|  <p><b>10</b> * TORQUE : To 10 in-lbs<br/>(11.5 kgf.cm)</p> | <p><b>10</b></p>  |
| <p>Philips head screw driver.</p>   |   |
| <p style="writing-mode: vertical-rl; transform: rotate(180deg);">NOTE</p>   | <p>1. Insert plate washer and M5 bolt.<br/>2. Fasten the console-box as shown in the picture.</p> |

|  |   |
|--|---|
|  <p><b>11</b></p> | <p><b>11</b></p>  |
| <p style="writing-mode: vertical-rl; transform: rotate(180deg);">NOTE</p>                            | <p>1. Insert console-box(inner part) to outer part.</p> |

|  |   |
|--|---|
|  <p><b>12</b></p> <p>* TORQUE : To 7 in-lbs<br/>(8 kgf.cm)</p> | <p><b>12</b></p>  |
| <p>Philips head screw driver.</p>  |   |
| <p style="writing-mode: vertical-rl; transform: rotate(180deg);">NOTE</p>  | <p>1. Insert M4 bolt and fasten the console-box(inner and outer parts) as shown in the picture.</p> |
|   | <p>Be careful not to damage or scratch the console.</p>   |